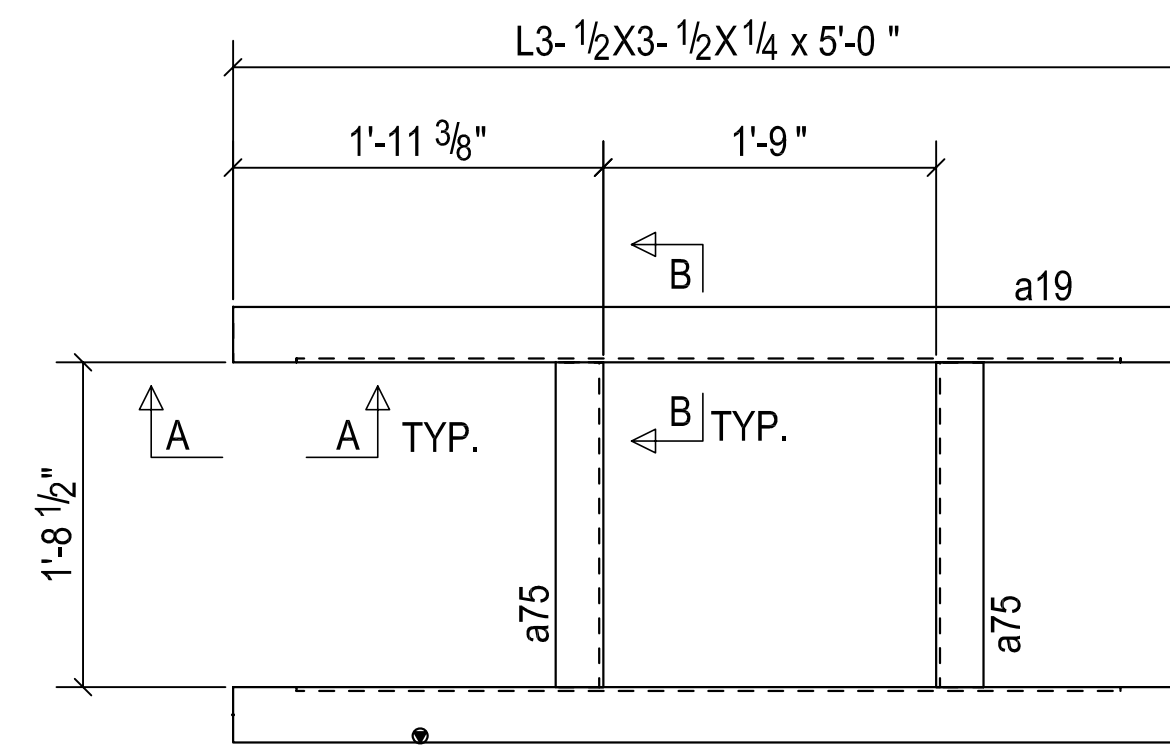
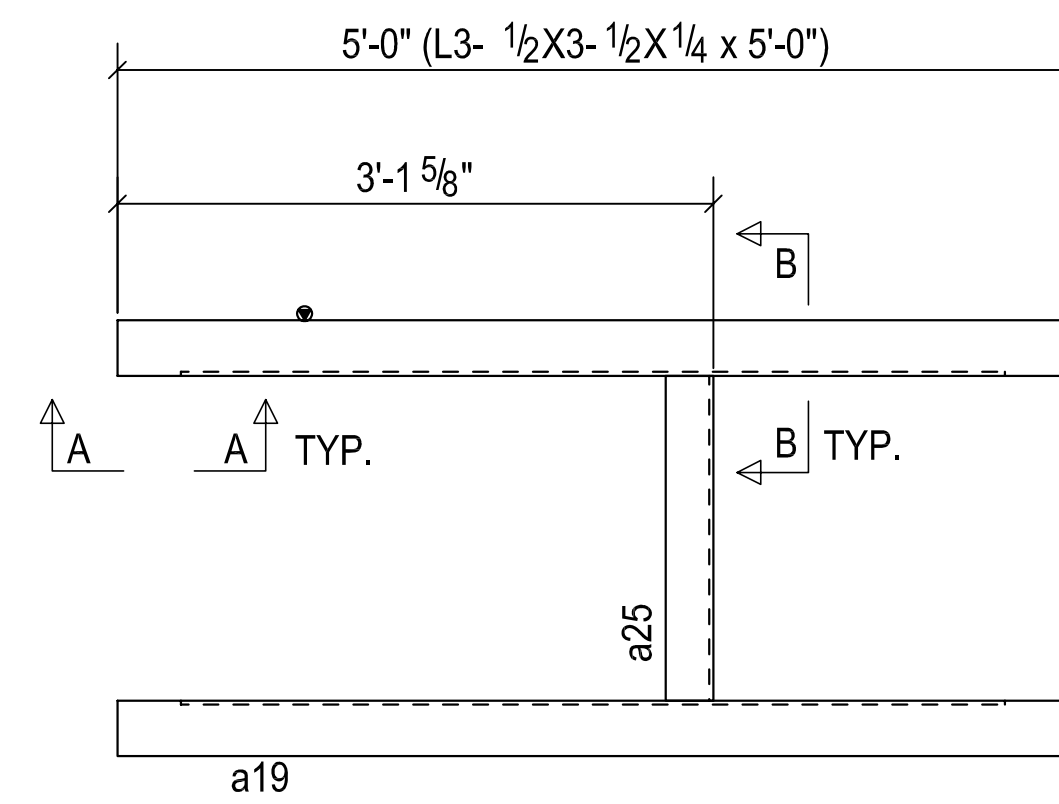


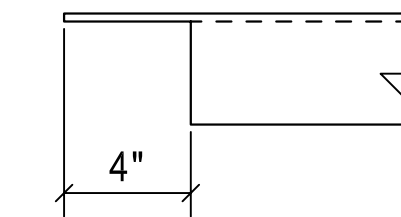
SEQUENCE	SHIPMENT		QTY	DESCRIPTION SECTION	LENGTH		NOTES	FIN.
	MARK	TEM			FT.	IN.		
	115FR1		1	ROOF_FRAMING				
		115FR1	1	L3-1/2X3-1/2X1/4	5'-0"		A36	
		a19	1	L3-1/2X3-1/2X1/4	5'-0"		A36	
		a75	2	L3X3X1/4	1'-8 1/2"		A36	
	115FR2		1	ROOF_FRAMING				
		115FR2	1	L3-1/2X3-1/2X1/4	5'-0"		A36	
		a19	1	L3-1/2X3-1/2X1/4	5'-0"		A36	
		a25	1	L3X3X1/4	1'-8 1/2"		A36	



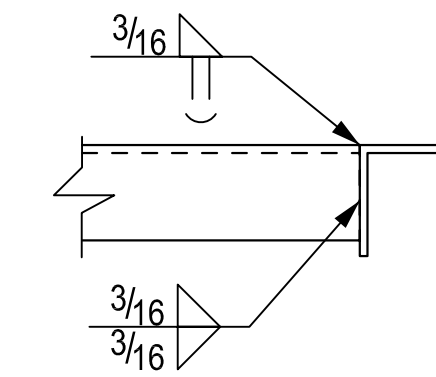
ONE - ROOF\_FRAMING - 115FR1



ONE - ROOF\_FRAMING - 115FR2



SECTION- A - A



SECTION- B - B