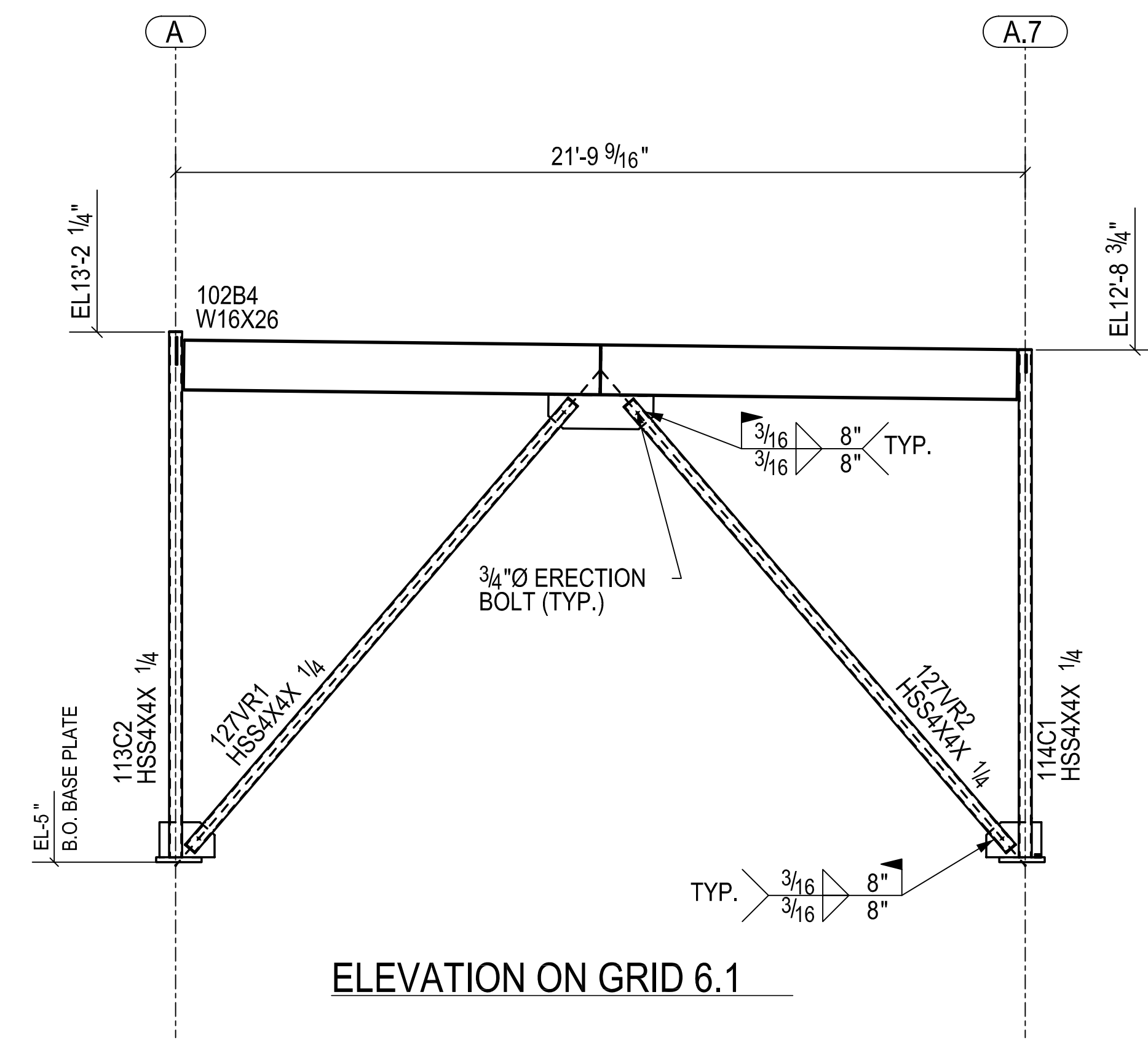
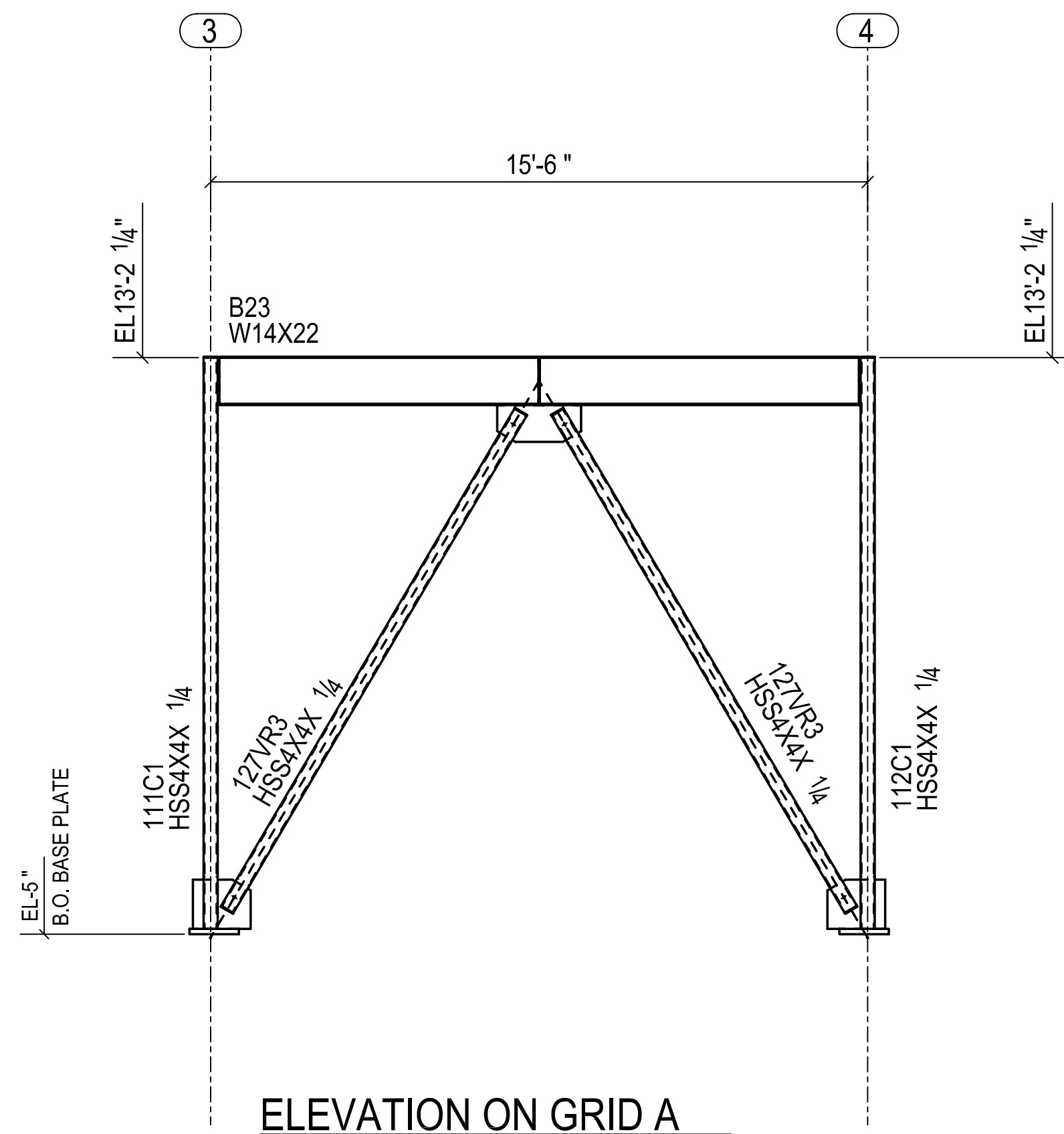


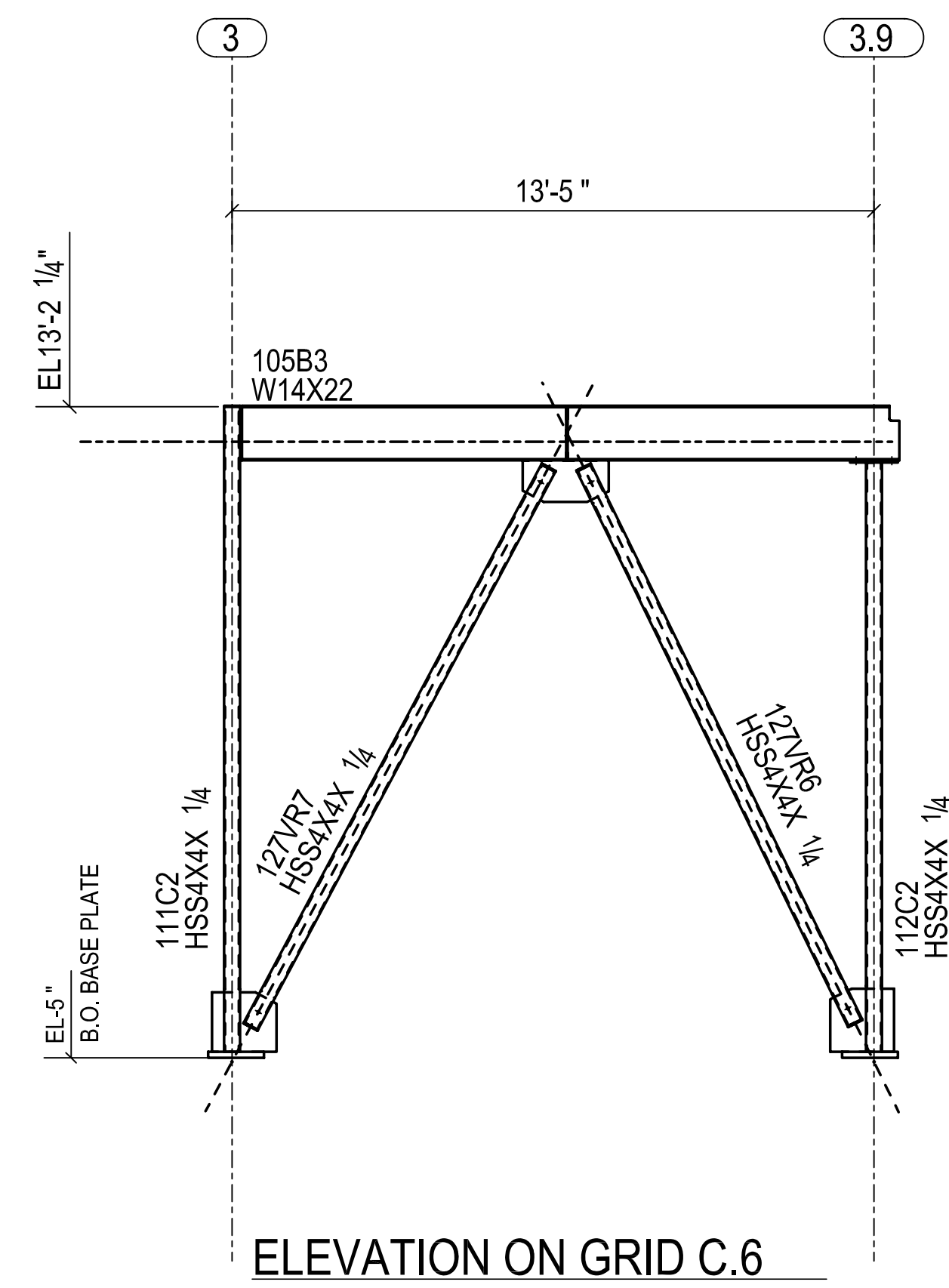
ELEVATION ON GRID 1



ELEVATION ON GRID 6.1



ELEVATION ON GRID A



ELEVATION ON GRID C.6