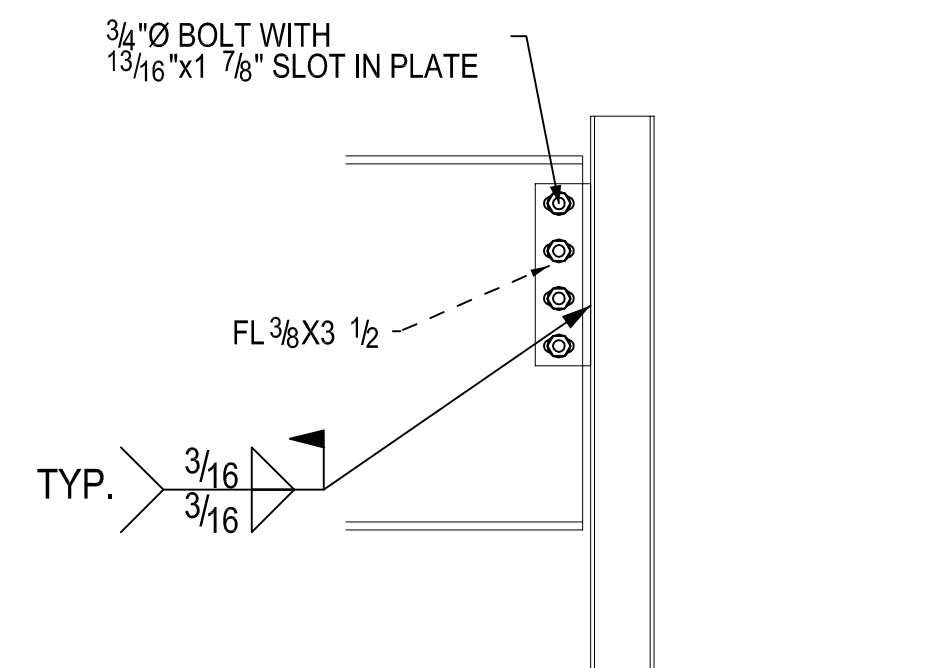
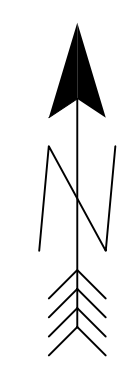
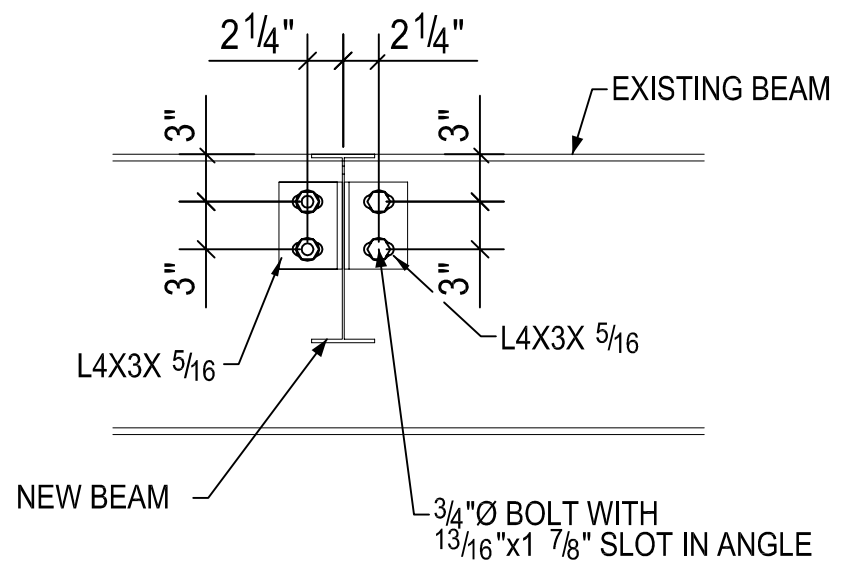


ROOF FRAMING PLAN
ELEVATION SHOWN ARE
BOTT. OF DECK



TYP. NEW BEAM TO
EXISTING COLUMN



TYP. NEW BEAM TO
EXISTING BEAM

NOTE:

1. (E) DENOTES EXISTING BEAM & COLUMN.
2. PLEASE VERIFY ALL CLOUDED DIMENSIONS.
3. B.O.D= 13'-2 1/2" @ ALL PERIMETER STEEL NEW AND EXIST U.N.O.
4. ← INDICATES SLOPE