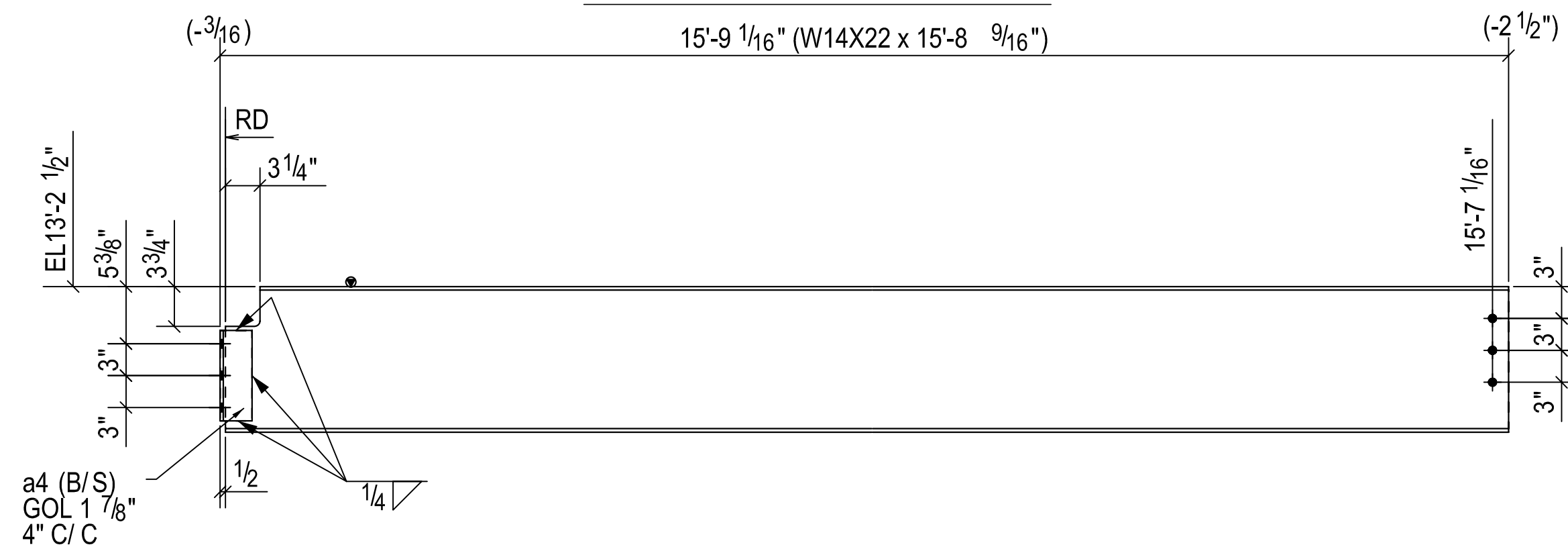
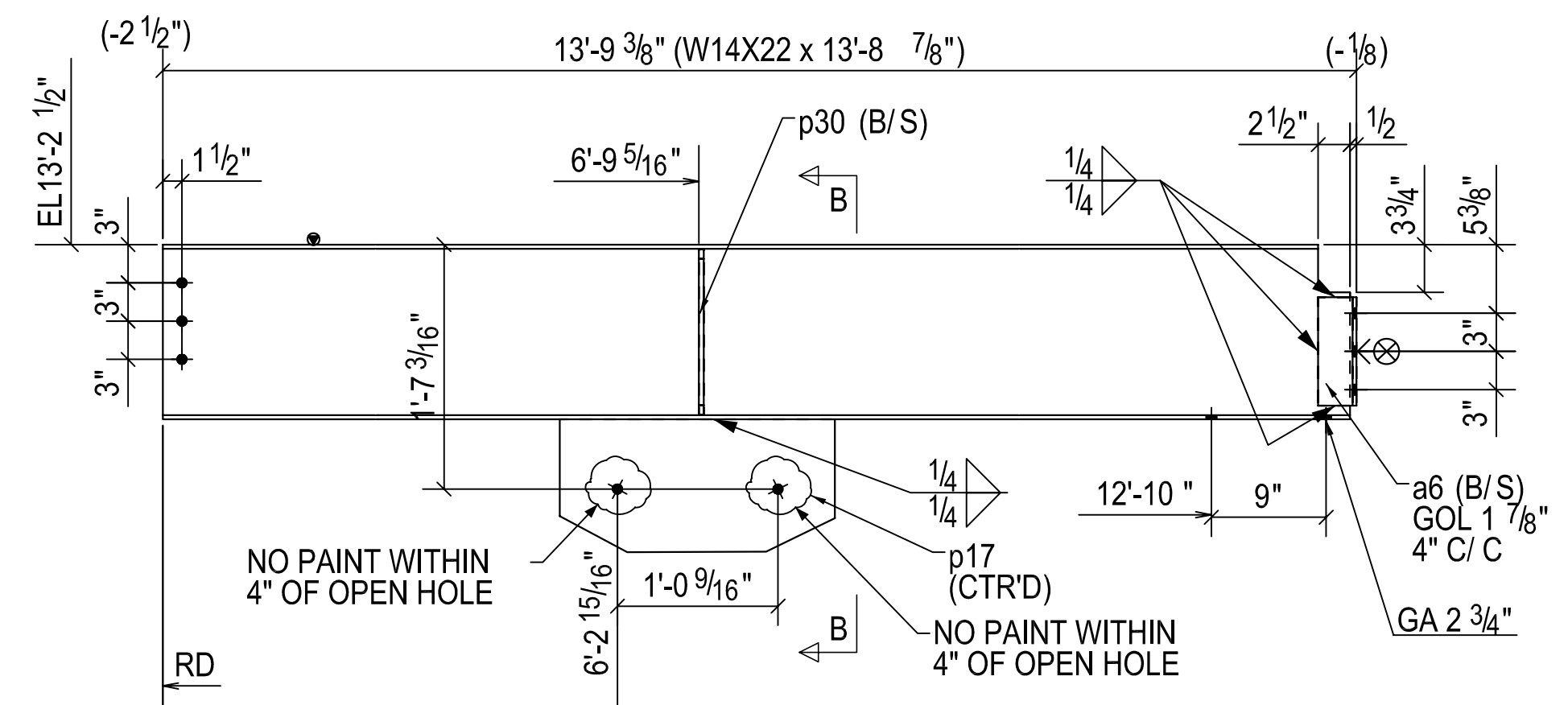


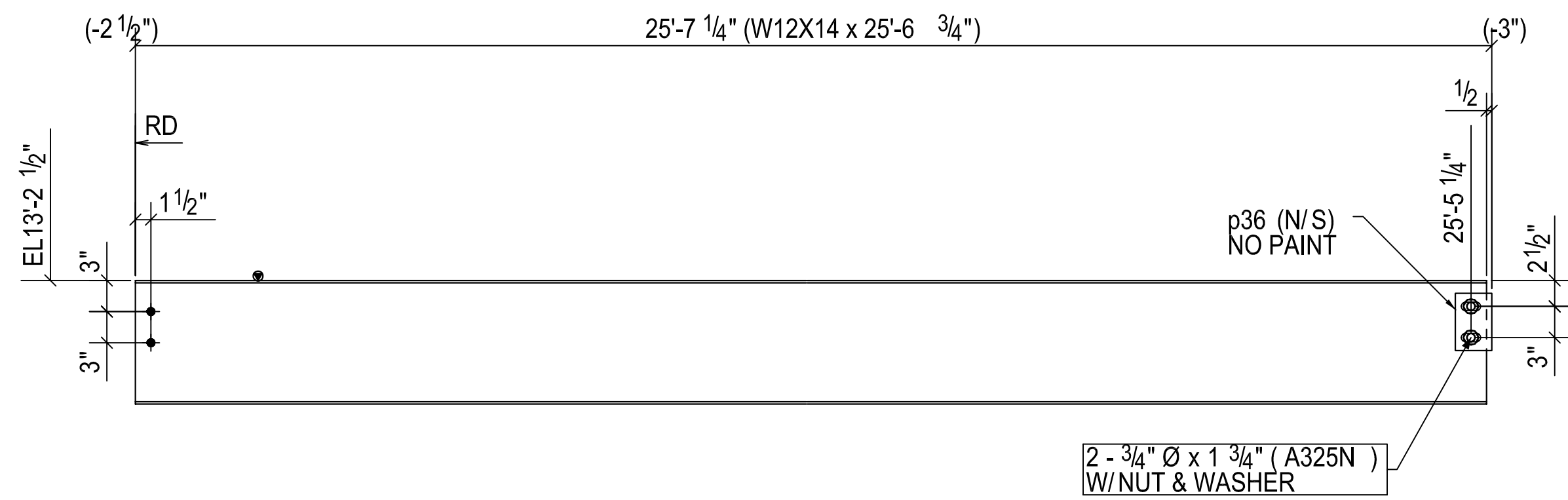
ONE - BEAM - 105B1



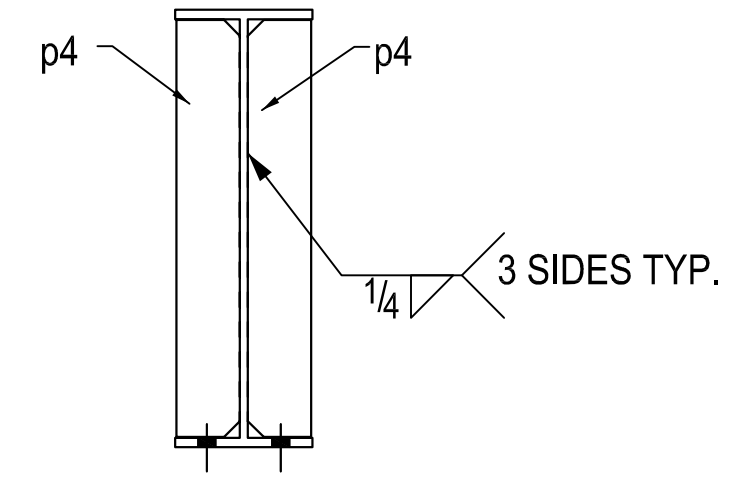
ONE - BEAM - 105B2



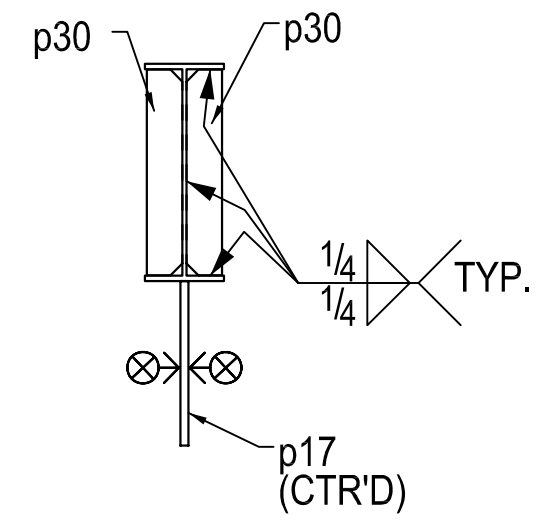
ONE - BEAM - 105B3



ONE - BEAM - 105B4



SECTION- A - A



SECTION- B - B

SEQUENCE	SHIPMENT		DESCRIPTION	LENGTH		NOTES	FIN.
	MARK	TEM		QTY	SECTION		
	105B1		1 BEAM				
		105B1	1 W21X44		31'-7 1/4"	A992	PRIMED
		p4	2 FL1/2"X3"		1'-7 3/4"	A36	
		p33	1 FL3/8"X3 1/2"		0'-11 1/2"	A36	
			4 3/4"Ø A325N BOLT		0'-2"		
			FIELD BOLTS				
			4 A325N 3/4" DIA		0'-2 1/4"	WINUT & WASHER	
	105B2		1 BEAM				
		105B2	1 W14X22		15'-8 9/16"	A992	PRIMED
		a4	2 L3X3X5/16		0'-8 1/2"	A36	
			FIELD BOLTS				
			6 A325N 3/4" DIA		0'-2"	WINUT & WASHER	
			FIELD BOLTS				
			3 A325N 3/4" DIA		0'-1 3/4"	WINUT & WASHER	
	105B3		1 BEAM				
		105B3	1 W14X22		13'-8 7/8"	A992	PRIMED
		a6	2 L3X3X5/16		0'-8 1/2"	A36	
		p17	1 PL1/2"X10 7/16"		1'-9 9/16"	A36	
		p30	2 FL3/8"X2 1/4"		1'-0 15/16"	A36	
			FIELD BOLTS				
			6 A325N 3/4" DIA		0'-1 3/4"	WINUT & WASHER	
			FIELD BOLTS				
			4 A325N 3/4" DIA		0'-2"	WINUT & WASHER	
			3 A325N 3/4" DIA		0'-1 3/4"	WINUT & WASHER	
	105B4		1 BEAM				
		105B4	1 W12X14		25'-6 3/4"	A992	PRIMED
		p36	1 FL3/8"X3 1/2"		0'-5 1/2"	A36	
			2 3/4"Ø A325N BOLT		0'-1 3/4"		
			FIELD BOLTS				
			2 A325N 3/4" DIA		0'-1 3/4"	WINUT & WASHER	