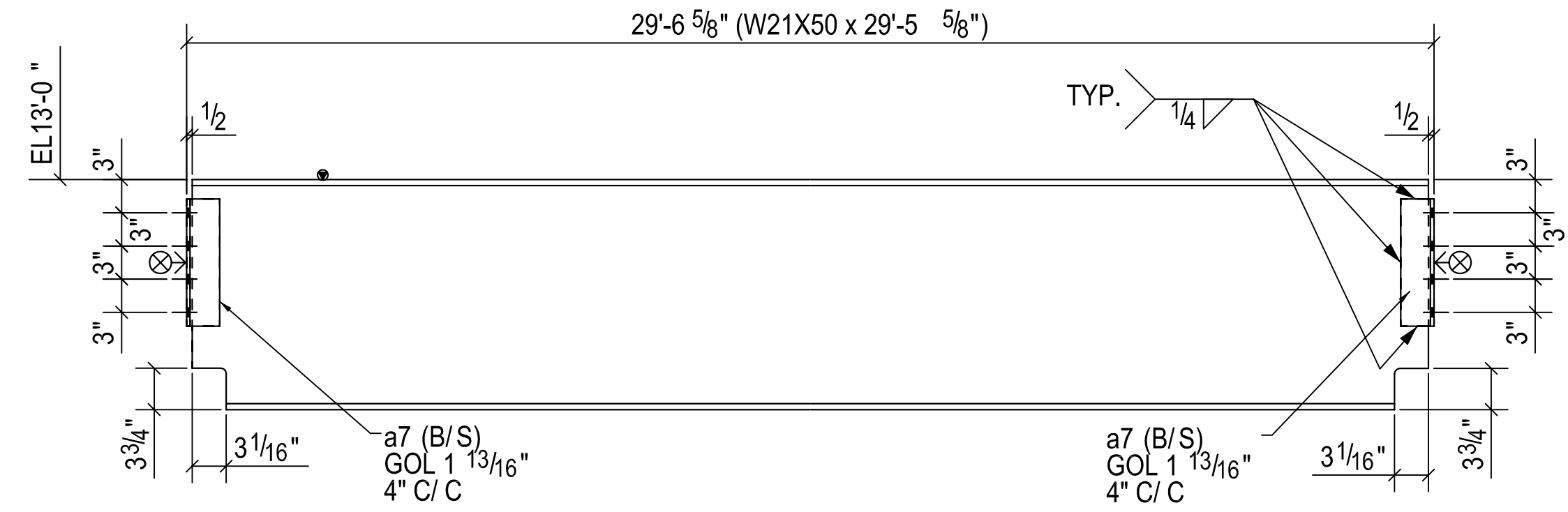
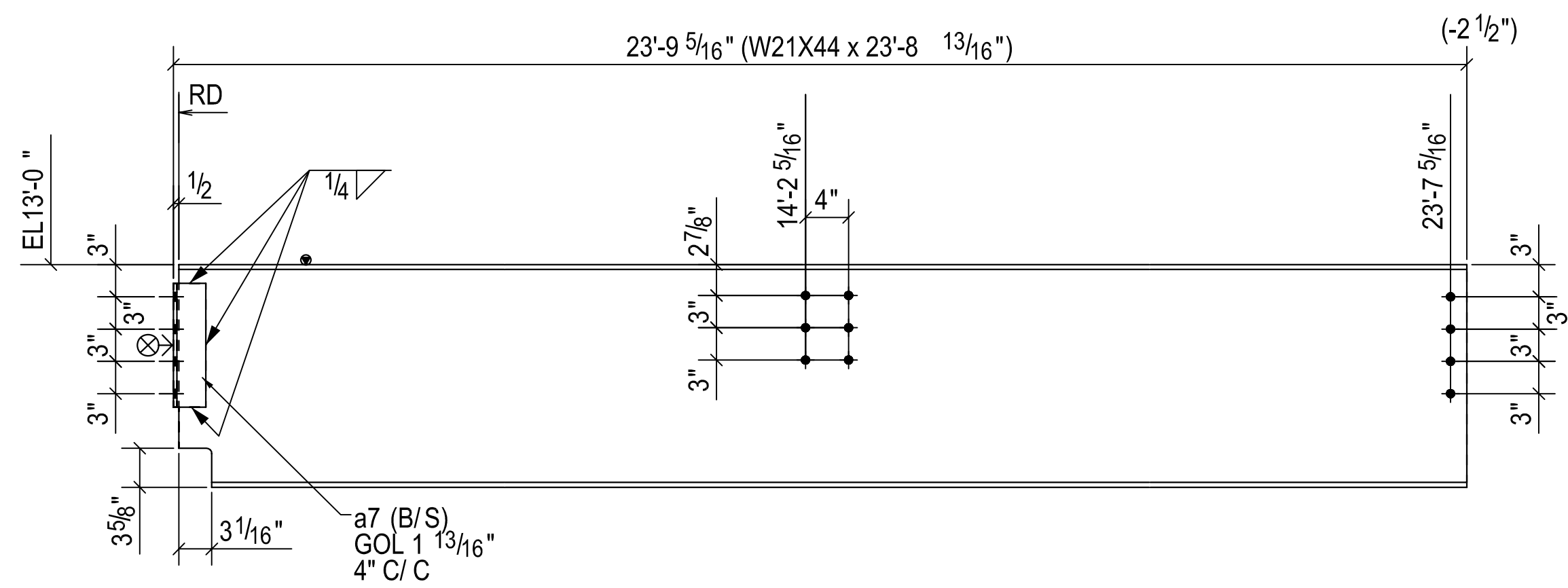


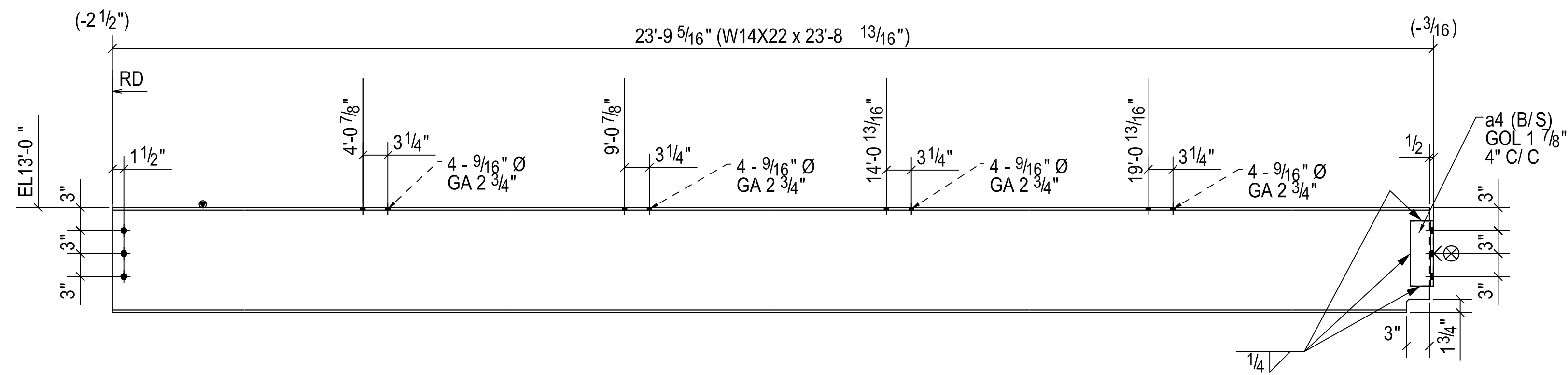
ONE - BEAM - 101B1



ONE - BEAM - 101B2



ONE - BEAM - 101B3



ONE - BEAM - 101B4

| SEQUENCE | SHIPMENT | | QTY | DESCRIPTION SECTION | LENGTH | | NOTES | FIN. |
|----------|----------|-------|-----|---------------------|--------|--------|----------------|--------|
| | MARK | TEM | | | FT. | IN. | | |
| | 101B1 | | 1 | BEAM | | | | |
| | | 101B1 | 1 | W21X44 | 31'-3 | 13/16" | A992 | PRIMED |
| | | a7 | 2 | L3X3X5/16 | 0'-11 | 1/2" | A36 | |
| | | | | FIELD BOLTS | | | | |
| | | | 4 | A325N 3/4" DIA | 0'-2" | | WINUT & WASHER | |
| | 101B2 | | 1 | BEAM | | | | |
| | | 101B2 | 1 | W21X50 | 29'-5 | 5/8" | A992 | PRIMED |
| | | a7 | 4 | L3X3X5/16 | 0'-11 | 1/2" | A36 | |
| | | | | FIELD BOLTS | | | | |
| | | | 8 | A325N 3/4" DIA | 0'-2 | 1/4" | WINUT & WASHER | |
| | 101B3 | | 1 | BEAM | | | | |
| | | 101B3 | 1 | W21X44 | 23'-8 | 13/16" | A992 | PRIMED |
| | | a7 | 2 | L3X3X5/16 | 0'-11 | 1/2" | A36 | |
| | | | | FIELD BOLTS | | | | |
| | | | 8 | A325N 3/4" DIA | 0'-2 | 1/4" | WINUT & WASHER | |
| | | | | FIELD BOLTS | | | | |
| | | | 4 | A325N 3/4" DIA | 0'-2" | | WINUT & WASHER | |
| | 101B4 | | 1 | BEAM | | | | |
| | | 101B4 | 1 | W14X22 | 23'-8 | 13/16" | A992 | PRIMED |
| | | a4 | 2 | L3X3X5/16 | 0'-8 | 1/2" | A36 | |
| | | | | FIELD BOLTS | | | | |
| | | | 6 | A325N 3/4" DIA | 0'-2" | | WINUT & WASHER | |
| | | | | FIELD BOLTS | | | | |
| | | | 16 | A307 1/2" DIA | 0'-1 | 1/2" | WINUT & WASHER | |
| | | | 3 | A325N 3/4" DIA | 0'-1 | 3/4" | WINUT & WASHER | |