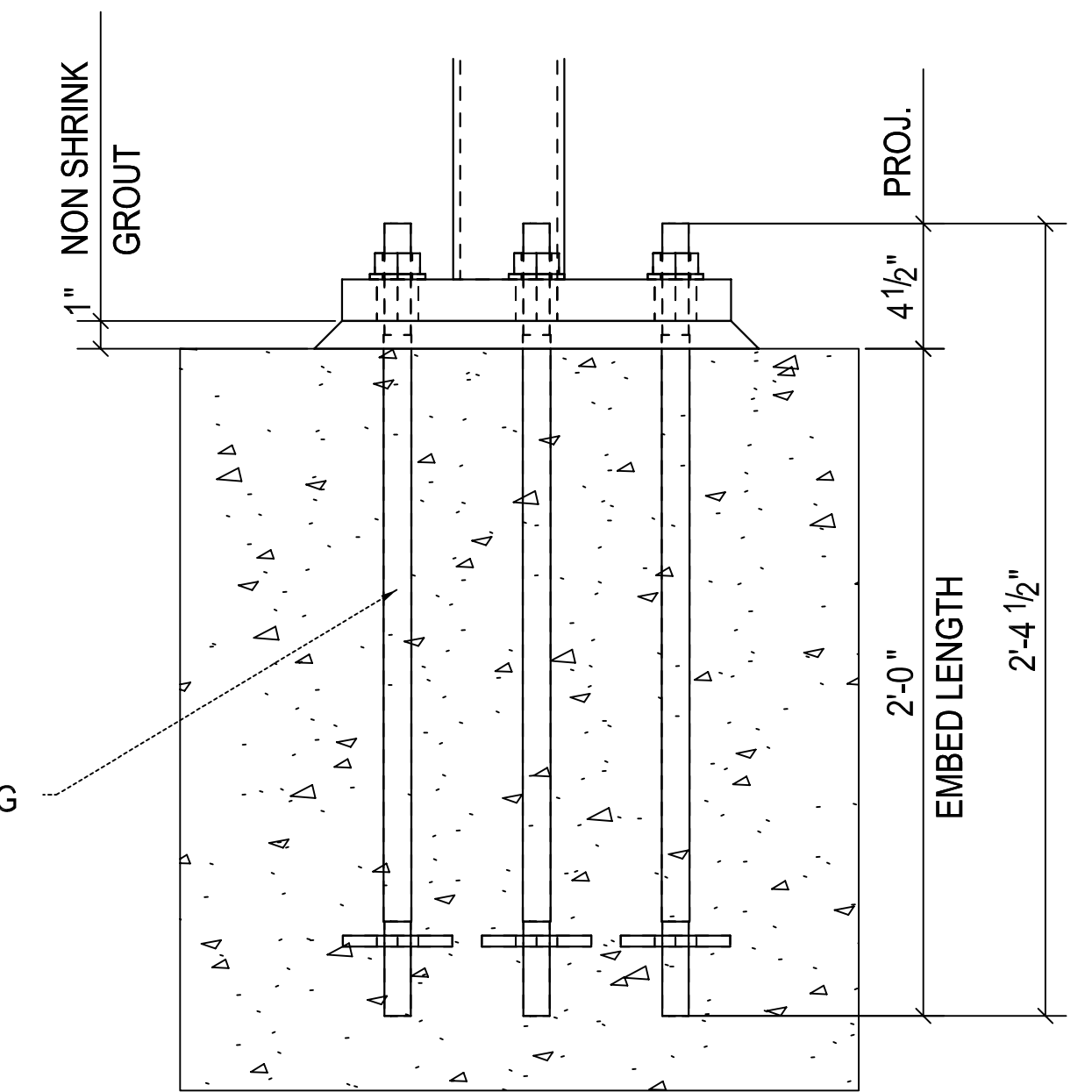
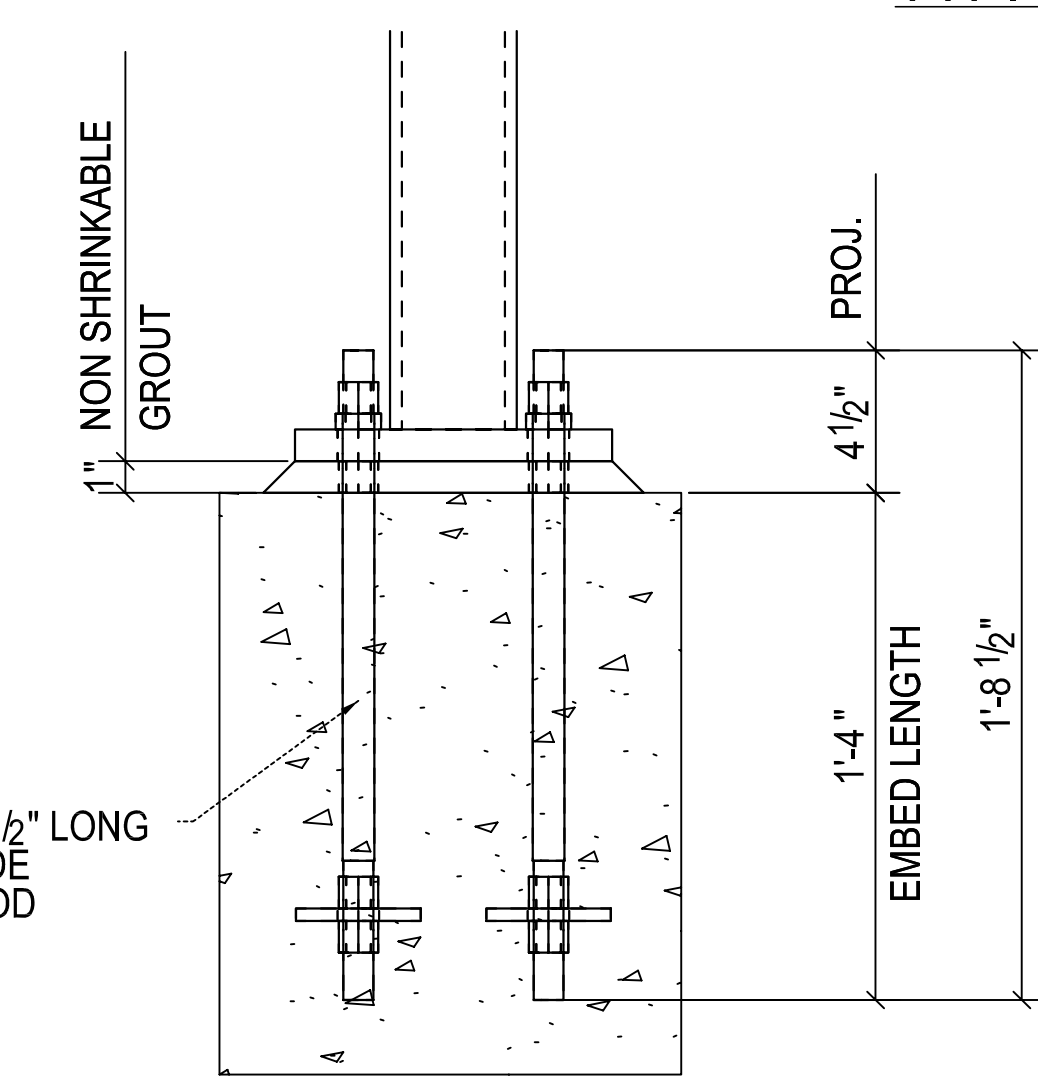


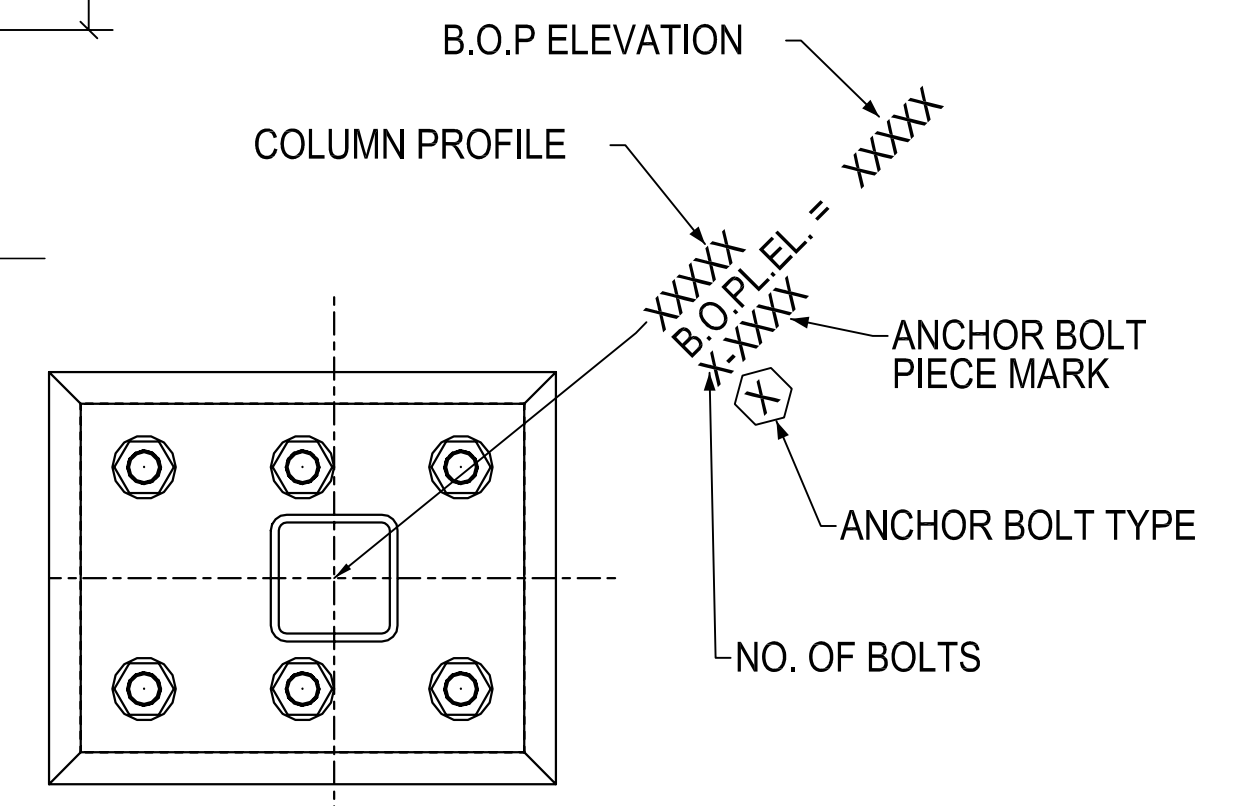
ANCHOR BOLT PLAN



TYP. BASE PLATE DETAIL TYPE-2



TYP. BASE PLATE DETAIL TYPE-1



LEGEND